

66224**PROTON RADIATION TOLERANT OPTOCOUPLER**
(Single Channel, Electrically Similar to 4N49)

09/24/03

Features:

- High Reliability
- Base lead provided for conventional transistor biasing
- Rugged package
- Stability over wide temperature
- +1000V electrical isolation

Applications:

- Eliminate ground loops
- Level shifting
- Line receiver
- Switching power supplies
- Motor control

DESCRIPTION

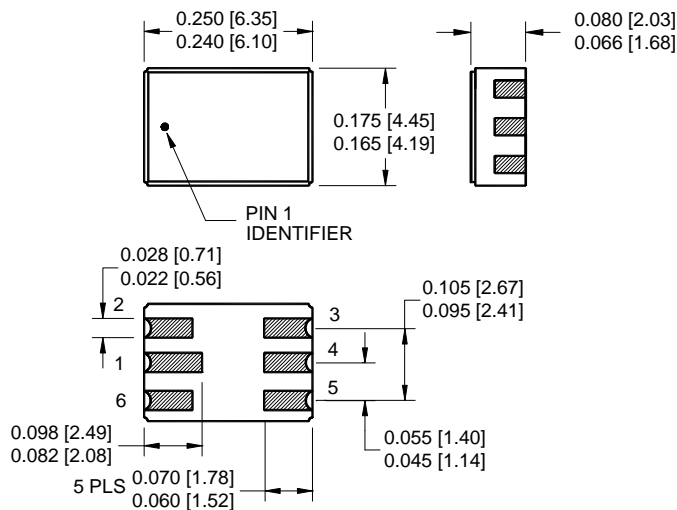
The **66224** is a single channel device electrically similar to the 4N49. This product has been designed to be more tolerant to proton radiation. The 66224 optocoupler is packaged in a hermetically sealed 6 pin leadless chip carrier (LCC). This device available as commercial or screened levels.

ABSOLUTE MAXIMUM RATINGS

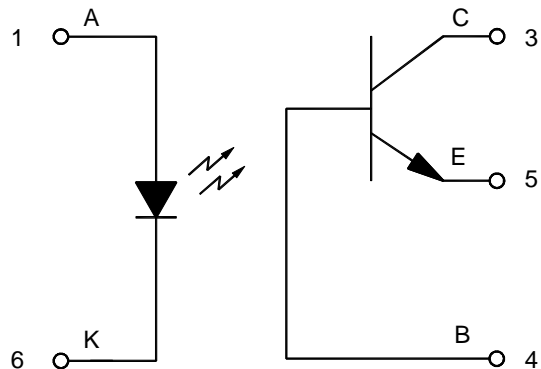
Input to Output Voltage	1kV
Emitter-Base Voltage7V
Collector-Emitter Voltage (Value applies to emitter-base open-circuited & the input-diode equal to zero)	40V
Collector-Base Voltage45V
Reverse Input Voltage2V
Input Diode Continuous Forward Current (Note 1)	50mA
Peak Forward Input Current (Value applies for $t_w \leq 1\mu s$, PRR < 300 pps)	1A
Continuous Collector Current50mA
Continuous Transistor Power Dissipation (Note 2)	300mW
Storage Temperature	-55°C to +150°C
Operating Free-Air Temperature Range	-55°C to +125°C
Lead Solder Temperature (10 seconds max.)	240°C

Notes:

1. Derate linearly to 125°C free-air temperature at the rate of 0.50 mW/°C above 25°C.
2. Derate linearly to 125°C free-air temperature at the rate of 3 mW/°C above 25°C.

Package Dimensions

ALL DIMENSIONS ARE IN INCHES [MILLIMETERS]

Schematic Diagram

66224

PROTON RADIATION TOLERANT OPTOCOUPLER (Single Channel, Electrically similar to 4N49)

09/24/03

ELECTRICAL CHARACTERISTICS

T_A = 25°C unless otherwise specified.

PARAMETER	SYMBOL	MIN	TYP	MAX	UNITS	TEST CONDITIONS	NOTE
Input Diode Static Reverse Current	I _R			8	μA	V _R = 6V	
Input Diode Static Forward Voltage -55°C	V _F			1.8	V	I _F = 10mA	
Input Diode Static Forward Voltage +25°C	V _F			1.6	V	I _F = 10mA	
Input Diode Static Forward Voltage +100°C	V _F			1.4	V	I _F = 10mA	

OUTPUT TRANSISTOR

T_A = 25°C unless otherwise specified.

PARAMETER	SYMBOL	MIN	TYP	MAX	UNITS	TEST CONDITIONS	NOTE
Collector-Base Breakdown Voltage	V _{(BR)CBO}	45			V	I _C = 100μA, I _B = 0, I _F = 0	
Collector-Emitter Breakdown Voltage	V _{(BR)CEO}	40			V	I _C = 1mA, I _B = 0, I _F = 0	
Emitter-Base Breakdown Voltage	V _{(BR)EBO}	7			V	I _C = 0mA, I _E = 100μA, I _F = 0	
Off-State Collector Current	I _{CEO}			100	nA	V _{CE} = 20V, I _F = 0mA, I _B = 0	
+100°C	I _{CEO}			100	μA	V _{CE} = 20V, I _F = 0mA, I _B = 0	

COUPLED CHARACTERISTICS

T_A = 25°C unless otherwise specified.

PARAMETER	SYMBOL	MIN	TYP	MAX	UNITS	TEST CONDITIONS	NOTE
On State Collector Current	I _{C(ON)}	2.0		10	mA	V _{CE} = 5V, I _F = 1mA, I _B = 0	2
On State Collector Current +100°C	I _{C(ON)}	0.5			mA	V _{CE} = 0.4V, I _F = 2mA, I _B = 0	2
On State Collector Current -55°C	I _{C(ON)}	0.7			mA	V _{CE} = 5V, I _F = 2mA,	2
Collector-Emitter Saturation Voltage	V _{CE(SAT)}			0.3	V	I _F = 2mA, I _C = 2mA, I _B = 0	
Input to Output Internal Resistance	R _{IO}	10 ¹¹			Ω	V _{I-O} = 500V	1
Input to Output Capacitance	C _{IO}		2.5	5	pF	f = 1MHz, V _{I-O} = 1000V	1
Rise Time- Phototransistor Operation	t _r		10	25	μs	V _{CC} = 10V, I _F = 5mA, R _L = 100Ω, I _B = 0	
Fall Time-Phototransistor Operation	t _f		10	25	μs	V _{CC} = 10V, I _F = 5mA, R _L = 100Ω, I _B = 0	
Rise Time-Photodiode Operation	t _r		0.85	3	μs	V _{CC} = 10V, I _F = 5mA, R _L = 100Ω, I _E = 0	
Fall Time-Photodiode Operation	t _f		0.85	3	μs	V _{CC} = 10V, I _F = 5mA, R _L = 100Ω, I _E = 0	

NOTES:

- These parameters are measured between all phototransistor leads shorted together and with both input diode leads shorted together.
- This parameter must be measured using pulse techniques (t_W = 100μs duty cycle ≤ 1%).

RECOMMENDED OPERATING CONDITIONS:

PARAMETER	SYMBOL	MIN	MAX	UNITS
Input Current, Low Level	I _{FL}	0	90	μA
Input Current, High Level	I _{FH}	2	10	mA
Supply Voltage	V _{CE}	5	30	V
Operating Temperature	T _A	-55	125	°C

SELECTION GUIDE

PART NUMBER	PART DESCRIPTION
66224-001	Commercial
66224-101	Screened