

66217	FIBEROPTIC EMITTER IN SMA CONNECTOR	
--------------	--	---

03/17/2017

Features:	Applications:
<ul style="list-style-type: none"> Fiber optic LED with internal ball lens Industry standard SMA style connector High coupled output power 60 μW @60 mA (100 micron fiber) typical Data rates up to 10 MHz 850 nM wavelength 	<ul style="list-style-type: none"> Short haul data Link Mobile Communications Local Area Networks

DESCRIPTION

The **66217** series, high speed fiber-optic LED is packaged in an industry standard SMA housing. An internal “glass ball” lens focuses the light from the die to increase light coupling for 50 to 150 micron multi-mode optical fibers. Typical coupled power is greater than -12 dbm (60 μ W) into a 100 micron fiber at 60 mA. With rise and fall times of 10 ns maximum, this part may be used in medium to high speed data transmission applications. This LED may be screened to meet specific customer requirements or to MIL-PRF-19500.

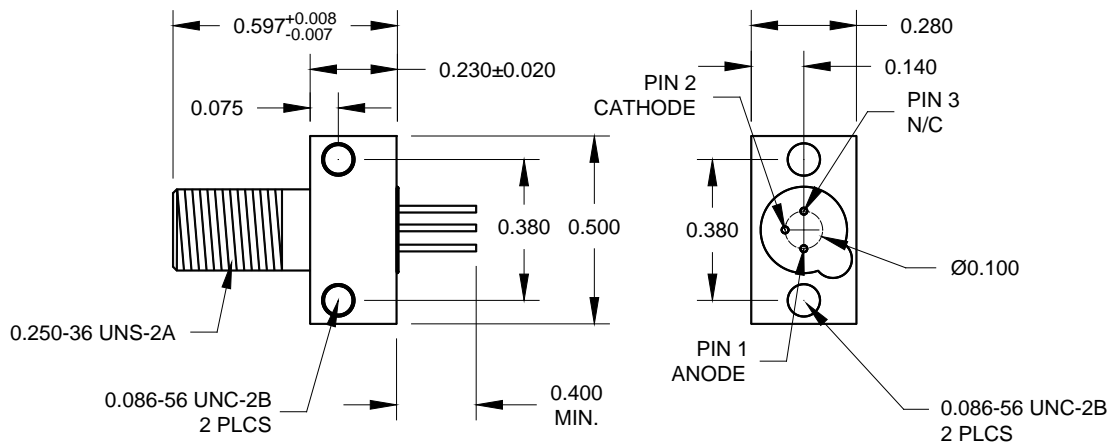
ABSOLUTE MAXIMUM RATINGS @ 25°C free air temperature unless noted

Reverse Voltage	1 Vdc
Forward Continuous Current (Note 1).....	100 mA
Transmission Rate at 100 mA I _f	10 Mbits/s
Storage Temperature	-55°C to +150°C
Operating Temperature	-40°C to +125°C
Soldering Temperature (10 seconds, 1/16” from case).....	240°C

NOTES:

- Derate linearly at 1mA/°C above 25°C.

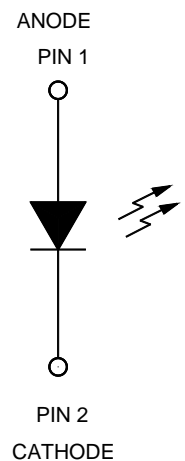
Package Dimensions



UNLESS OTHERWISE SPECIFIED, TOLERANCE IS ± 0.005 .

ALL DIMENSIONS ARE IN INCHES.

Schematic Diagram



03/17/2017

ELECTRICAL CHARACTERISTICS $T_A = 25^\circ\text{C}$ unless otherwise specified.

Parameter	Symbol	Min	Typ	Max	Units	Test Conditions	Note
Forward Voltage	V_F			2	V	$I_F = 100 \text{ mA}$	
Reverse Breakdown Voltage	BV_R	1			V	$I_R = 10 \mu\text{A}$	
Coupled Power Output	P_o	90			μW	$I_F = 100 \text{ mA}$	1
Output Rise Time	t_R		8	10	ns	$I_F = 100 \text{ mA}$ 5 mA pre-bias	
Output Fall Time	t_F		6	10	ns	$I_F = 100 \text{ mA}$ 5 mA pre-bias	
Peak Wavelength	λ_p		850		nm	$I_F = 100 \text{ mA}$	

NOTES:

1. Tested using a 100/140 μm fiber (NA = 0.29). Actual coupled power may vary due to alignment, receptacle and fiber.

RECOMMENDED OPERATING CONDITIONS:

Parameter	Symbol	Min	Max	Units
Forward Current	I_F	20	100	mA
Transmission Rate		10		Mb/sec

SELECTION GUIDE

Part Number	Part Description
66217-001	Commercial
66217-102	Screened to TX Level