

62227-31X

GREEN PANEL MOUNT
HERMETIC LED INDICATORS



02/19/2018

Features:

- Hermetically sealed
- Wide Viewing Angle
- Panel Mount with wire wrappable leads
- Designed for Hi-Reliability applications
- Available in 3 Screening Levels

Applications:

- P.C. Board Fault Indicator
- Logic Status Indicator
- Binary Data Display
- Power supply on/off indicator

DESCRIPTION

The 62227-31X series indicator contains a green hermetically sealed visible LED in a TO-46 package with a tinted diffused dome lens to provide good on/off contrast and a wide viewing angle. The 62227-31X indicator utilizes a GaP on GaP LED and a colored diffused plastic lens over a glass window. The 62227-31X is available in Commercial, Commercial with Group A, and Screened to TX Levels.

ABSOLUTE MAXIMUM RATINGS

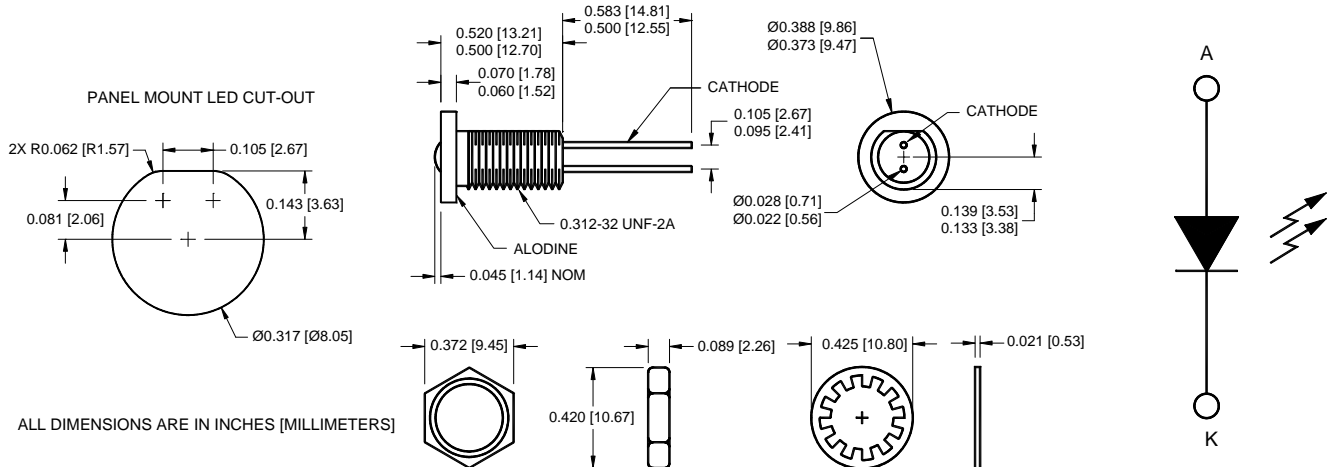
Reverse Voltage	5 Vdc
Power Dissipation (Note 1)	120 mW
Forward Current-Continuous	35 mA
Storage Temperature.....	-65°C to +100°C
Operating Temperature	-55°C to +100°C
Lead Soldering Temperature (10 seconds, 1/16" from case)	260°C
Maximum Mounting Torque (Panel mount version).....	25 in•lbs

NOTES :

1. Derate at the rate of 1.6 mW/°C above 50°C.

Panel Mount Dimensions

Schematic Diagram



NOTES:

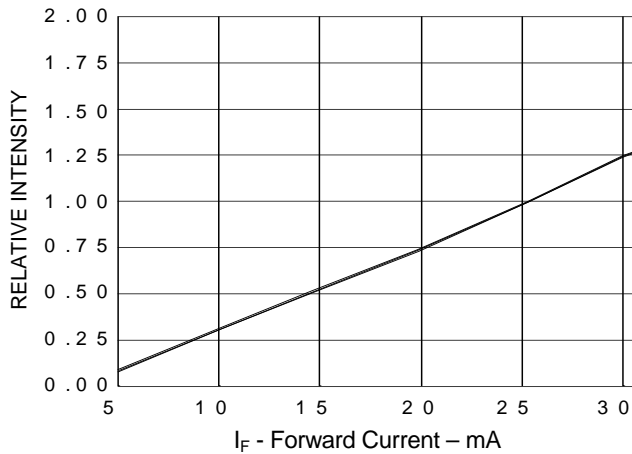
1. ALL EXTERNAL METAL SURFACES OF THE PACKAGE ARE BLACK ANODIZED EXCEPT FOR THE ALODINE AREA OF THE FLANGE AND THE GOLD-PLATED LEADS.
2. MOUNTING HARDWARE WHICH INCLUDES ONE LOCK WASHER AND ONE HEX NUT IS INCLUDED WITH EACH PANEL MOUNTABLE HERMETIC SOLID STATE LAMP.

02/19/2018

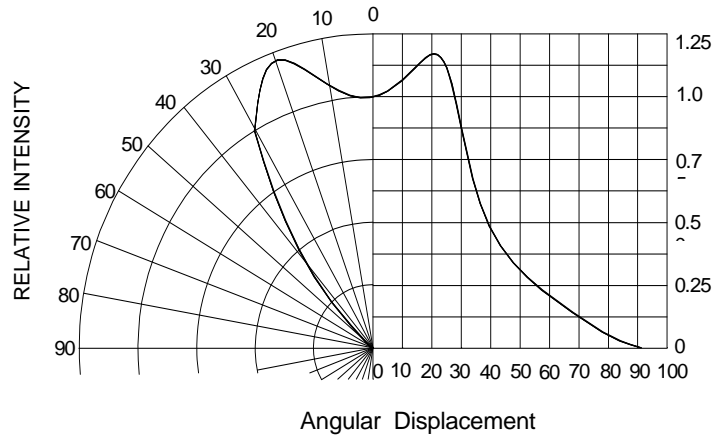
ELECTRICAL/OPTICAL CHARACTERISTICS TA=25°C

PART NUMBER	COLOR	TEST CONDITION	PARAMETER LIMITS				
			PEAK λ	$I_{V1} \theta = 0^\circ$	$I_{V2} \theta = 30^\circ$	V_F	C
		I_F mA	TYP.	MIN.	MIN.	MAX.	MAX.
62227-31X	GREEN	20	570	3 mcd	1.5 mcd.	3 V	100 pF

Relative Luminous Intensity vs Forward Current
(Normalized at 20 mA)



Relative Luminous Intensity vs. Angular Displacement



RECOMMENDED OPERATING CONDITIONS:

PARAMETER	SYMBOL	MIN	MAX	UNITS
Forward	I_F	20	35	mA
Operating Temperature	T_A	-65	+100	°C

SELECTION GUIDE

PART NUMBER	PART DESCRIPTION	MICROPAC INTERNAL PART NUMBER
MII/521	Commercial	62227-311
MII/521-01	Commercial with Group A	62227-312
MII/521-02	Screened to TX Levels	62227-313