

**62176****HIGH BRIGHT LOW POWER  
PANEL MOUNT HERMETIC LED INDICATORS**

04/05/2010

**Features:**

- Hermetically sealed
- Choice of colors (Red, Yellow, Green, Blue)
- 180° Wide Viewing Angle
- Panel Mount versions with wire wrappable leads
- Designed for Hi-Reliability applications
- Positive State Status in Sunlight

**Applications:**

- P.C. Board Fault Indicator
- Logic Status Indicator
- Binary Data Display
- Power supply on/off indicator

**DESCRIPTION**

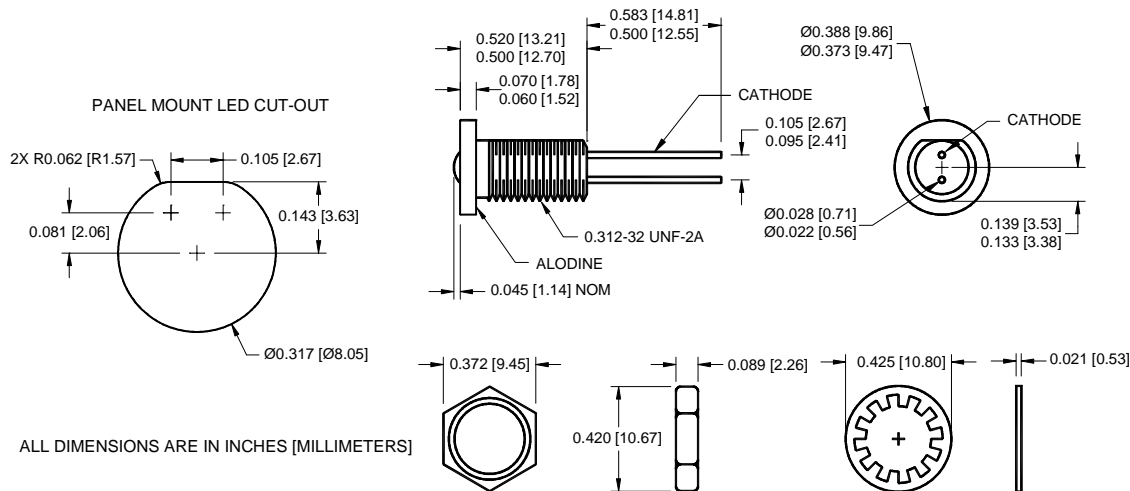
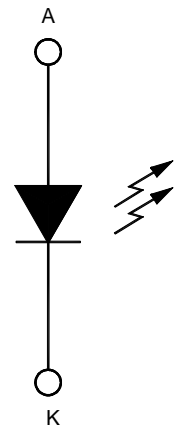
The **62176** series indicators are hermetically sealed in TO-46 packages prior to being mounted in a panel mount housing. A diffused dome lens provides good on/off contrast and a wide viewing angle. The 62176-10X (Red) and 62176-20X (Yellow) indicators utilize a high efficiency AlGaInP on GaP LED, while the 62176-30X (Green) and 62176-40X (Blue) indicators utilize a GaN on Sapphire LED. Each type uses a diffused plastic lens over a glass window. All versions are available in standard, JAN, JANTX or JANTXV screened levels.

**ABSOLUTE MAXIMUM RATINGS**

|  |                 |
|--|-----------------|
| Reverse Voltage .....  | 5 Vdc           |
| Power Dissipation (Note 1) .....                               | 120 mW          |
| Forward Current-Continuous (Note 2) .....                      | 20 mA           |
| Operating Temperature .....                                    | -55°C to +100°C |
| Storage Temperature .....                                      | -65°C to +100°C |
| Lead Soldering Temperature (10 seconds, 1/16" from case) ..... | 260°C           |

**NOTES :**

1. Derate at the rate of 1.6 mW/°C above 25°C.
2. Derate at the rate of 0.46 mW/°C above 25°C.

**Dimensions****Schematic Diagram****NOTES:**

1. ALL EXTERNAL METAL SURFACES OF THE PACKAGE ARE BLACK ANODIZED EXCEPT FOR THE ALODINE AREA OF THE FLANGE AND THE GOLD-PLATED LEADS.
2. MOUNTING HARDWARE WHICH INCLUDES ONE LOCK WASHER AND ONE HEX NUT IS INCLUDED WITH EACH PANEL MOUNTABLE HERMETIC SOLID STATE LAMP.

**62176****HIGH BRIGHT LOW POWER PANEL MOUNT HERMETIC LED INDICATORS**

04/05/2010

**ELECTRICAL/OPTICAL CHARACTERISTICS  $T_A = 25^\circ\text{C}$** 

| PART NUMBER | COLOR  | TEST CONDITION | PARAMETER LIMITS    |             |      |           |
|-------------|--------|----------------|---------------------|-------------|------|-----------|
|             |        | $I_F$ , mA     | PEAK $\lambda$ , nm | $I_V$ , mcd |      | $V_F$ , V |
|             |        |                | TYP.                | MIN.        | TYP. | MAX.      |
| 62176-10X   | RED    | 5              | 620                 | 30          | 35   | 2.3       |
| 62176-20X   | YELLOW | 5              | 590                 | 10          | 15   | 2.3       |
| 62176-30X   | GREEN  | 5              | 516                 | 20          | 25   | 3.5       |
| 62176-40X   | BLUE   | 5              | 466                 | 3           | 5    | 3.5       |

**RECOMMENDED OPERATING CONDITIONS:**

| PARAMETER             | SYMBOL | MIN | MAX  | UNITS            |
|-----------------------|--------|-----|------|------------------|
| Forward Current       | $I_F$  | 1   | 20   | mA               |
| Operating Temperature | $T_A$  | -55 | +100 | $^\circ\text{C}$ |

**SELECTION GUIDE**

| PART NUMBER | PART DESCRIPTION                         |
|-------------|--|
| 62176-101   | Commercial, Red LED, Panel Mount         |
| 62176-102   | JAN Screened, Red LED, Panel Mount       |
| 62176-103   | JANTX Screened, Red LED, Panel Mount     |
| 62176-104   | JANTXV Screened, Red LED, Panel Mount    |
| 62176-201   | Commercial, Yellow LED, Panel Mount      |
| 62176-202   | JAN Screened, Yellow LED, Panel Mount    |
| 62176-203   | JANTX Screened, Yellow LED, Panel Mount  |
| 62176-204   | JANTXV Screened, Yellow LED, Panel Mount |
| 62176-301   | Commercial, Green LED, Panel Mount       |
| 62176-302   | JAN Screened, Green LED, Panel Mount     |
| 62176-303   | JANTX Screened, Green LED, Panel Mount   |
| 62176-304   | JANTXV Screened, Green LED, Panel Mount  |
| 62176-401   | Commercial, Blue LED, Panel Mount        |
| 62176-402   | JAN Screened, Blue LED, Panel Mount      |
| 62176-403   | JANTX Screened, Blue LED, Panel Mount    |
| 62176-404   | JANTXV Screened, Blue LED, Panel Mount   |