

**62176****HIGH BRIGHT LOW POWER  
PANEL MOUNT HERMETIC LED INDICATORS**

04/05/2010

**Features:**

- Hermetically sealed
- Choice of colors (Red, Yellow, Green, Blue)
- 180° Wide Viewing Angle
- Panel Mount versions with wire wrappable leads
- Designed for Hi-Reliability applications
- Positive State Status in Sunlight

**Applications:**

- P.C. Board Fault Indicator
- Logic Status Indicator
- Binary Data Display
- Power supply on/off indicator

**DESCRIPTION**

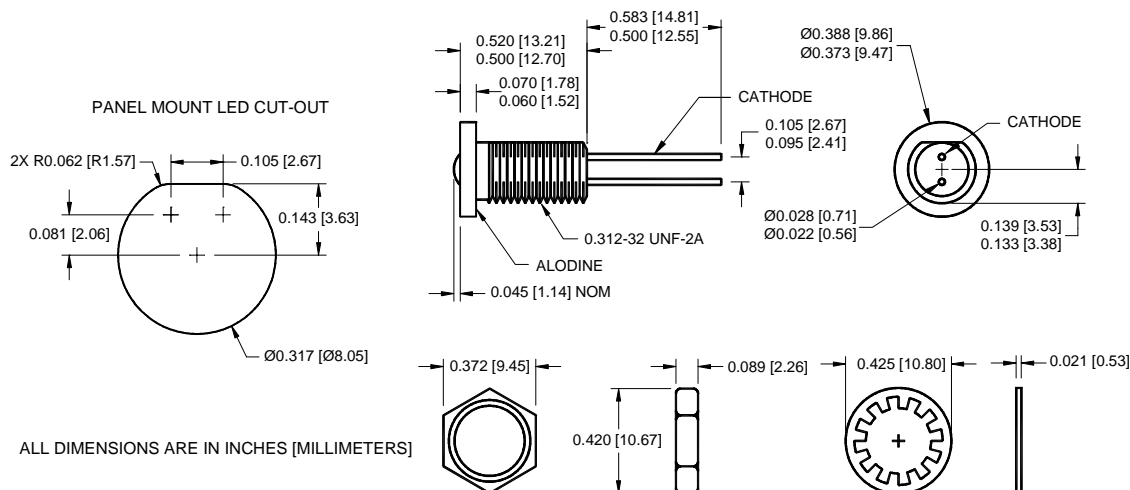
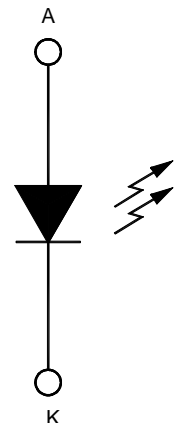
The **62176** series indicators are hermetically sealed in TO-46 packages prior to being mounted in a panel mount housing. A diffused dome lens provides good on/off contrast and a wide viewing angle. The 62176-10X (Red) and 62176-20X (Yellow) indicators utilize a high efficiency AlGaInP on GaP LED, while the 62176-30X (Green) and 62176-40X (Blue) indicators utilize a GaN on Sapphire LED. Each type uses a diffused plastic lens over a glass window. All versions are available in standard, JAN, JANTX or JANTXV screened levels.

**ABSOLUTE MAXIMUM RATINGS**

Reverse Voltage .....	5 Vdc
Power Dissipation (Note 1) .....	120 mW
Forward Current-Continuous (Note 2) .....	20 mA
Operating Temperature .....	-55°C to +100°C
Storage Temperature .....	-65°C to +100°C
Lead Soldering Temperature (10 seconds, 1/16" from case) .....	260°C

**NOTES :**

1. Derate at the rate of 1.6 mW/°C above 25°C.
2. Derate at the rate of 0.46 mW/°C above 25°C.

**Dimensions****Schematic Diagram****NOTES:**

1. ALL EXTERNAL METAL SURFACES OF THE PACKAGE ARE BLACK ANODIZED EXCEPT FOR THE ALODINE AREA OF THE FLANGE AND THE GOLD-PLATED LEADS.
2. MOUNTING HARDWARE WHICH INCLUDES ONE LOCK WASHER AND ONE HEX NUT IS INCLUDED WITH EACH PANEL MOUNTABLE HERMETIC SOLID STATE LAMP.

**62176****HIGH BRIGHT LOW POWER PANEL MOUNT HERMETIC LED INDICATORS**

04/05/2010

**ELECTRICAL/OPTICAL CHARACTERISTICS  $T_A = 25^\circ\text{C}$** 

PART NUMBER	COLOR	TEST CONDITION	PARAMETER LIMITS			
		$I_F$ , mA	PEAK $\lambda$ , nm	$I_V$ , mcd		$V_F$ , V
			TYP.	MIN.	TYP.	MAX.
62176-10X	RED	5	620	30	35	2.3
62176-20X	YELLOW	5	590	10	15	2.3
62176-30X	GREEN	5	516	20	25	3.5
62176-40X	BLUE	5	466	3	5	3.5

**RECOMMENDED OPERATING CONDITIONS:**

PARAMETER	SYMBOL	MIN	MAX	UNITS
Forward Current	$I_F$	1	20	mA
Operating Temperature	$T_A$	-55	+100	$^\circ\text{C}$

**SELECTION GUIDE**

PART NUMBER	PART DESCRIPTION
62176-101	Commercial, Red LED, Panel Mount
62176-102	JAN Screened, Red LED, Panel Mount
62176-103	JANTX Screened, Red LED, Panel Mount
62176-104	JANTXV Screened, Red LED, Panel Mount
62176-201	Commercial, Yellow LED, Panel Mount
62176-202	JAN Screened, Yellow LED, Panel Mount
62176-203	JANTX Screened, Yellow LED, Panel Mount
62176-204	JANTXV Screened, Yellow LED, Panel Mount
62176-301	Commercial, Green LED, Panel Mount
62176-302	JAN Screened, Green LED, Panel Mount
62176-303	JANTX Screened, Green LED, Panel Mount
62176-304	JANTXV Screened, Green LED, Panel Mount
62176-401	Commercial, Blue LED, Panel Mount
62176-402	JAN Screened, Blue LED, Panel Mount
62176-403	JANTX Screened, Blue LED, Panel Mount
62176-404	JANTXV Screened, Blue LED, Panel Mount