

62176**HIGH BRIGHT LOW POWER
PANEL MOUNT HERMETIC LED INDICATORS**

04/05/2010

Features:

- Hermetically sealed
- Choice of colors (Red, Yellow, Green, Blue)
- 180° Wide Viewing Angle
- Panel Mount versions with wire wrappable leads
- Designed for Hi-Reliability applications
- Positive State Status in Sunlight

Applications:

- P.C. Board Fault Indicator
- Logic Status Indicator
- Binary Data Display
- Power supply on/off indicator

DESCRIPTION

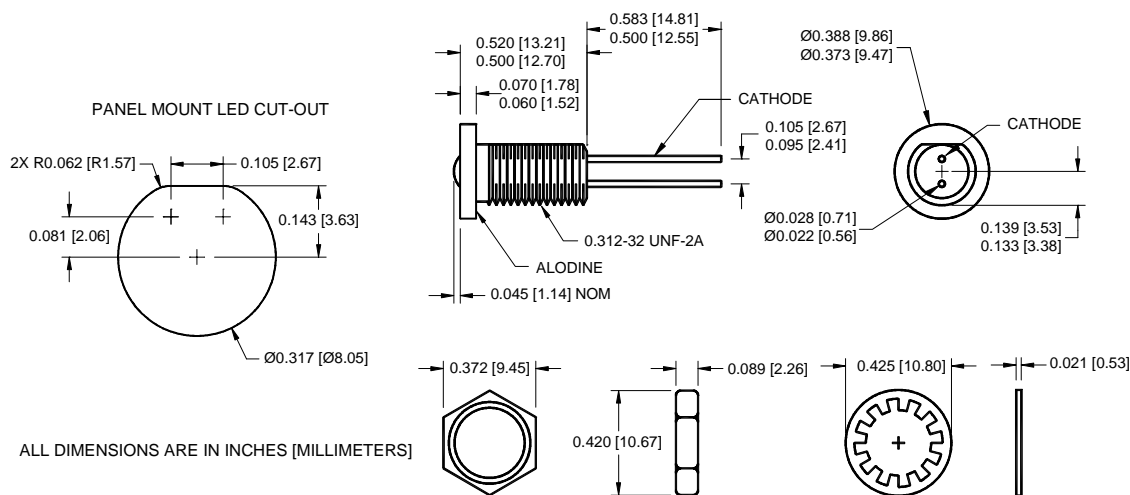
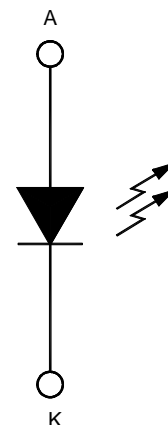
The **62176** series indicators are hermetically sealed in TO-46 packages prior to being mounted in a panel mount housing. A diffused dome lens provides good on/off contrast and a wide viewing angle. The 62176-10X (Red) and 62176-20X (Yellow) indicators utilize a high efficiency AlGaInP on GaP LED, while the 62176-30X (Green) and 62176-40X (Blue) indicators utilize a GaN on Sapphire LED. Each type uses a diffused plastic lens over a glass window. All versions are available in standard, JAN, JANTX or JANTXV screened levels.

ABSOLUTE MAXIMUM RATINGS

Reverse Voltage	5 Vdc
Power Dissipation (Note 1)	120 mW
Forward Current-Continuous (Note 2)	20 mA
Operating Temperature	-55°C to +100°C
Storage Temperature	-65°C to +100°C
Lead Soldering Temperature (10 seconds, 1/16" from case)	260°C

NOTES :

1. Derate at the rate of 1.6 mW/°C above 25°C.
2. Derate at the rate of 0.46 mW/°C above 25°C.

Dimensions**Schematic Diagram****NOTES:**

1. ALL EXTERNAL METAL SURFACES OF THE PACKAGE ARE BLACK ANODIZED EXCEPT FOR THE ALODINE AREA OF THE FLANGE AND THE GOLD-PLATED LEADS.
2. MOUNTING HARDWARE WHICH INCLUDES ONE LOCK WASHER AND ONE HEX NUT IS INCLUDED WITH EACH PANEL MOUNTABLE HERMETIC SOLID STATE LAMP.

62176

HIGH BRIGHT LOW POWER PANEL MOUNT HERMETIC LED INDICATORS

04/05/2010

ELECTRICAL/OPTICAL CHARACTERISTICS $T_A = 25^\circ\text{C}$

PART NUMBER	COLOR	TEST CONDITION	PARAMETER LIMITS			
		I_F , mA	PEAK λ , nm	I_V , mcd		V_F , V
			TYP.	MIN.	TYP.	MAX.
62176-10X	RED	5	620	30	35	2.3
62176-20X	YELLOW	5	590	10	15	2.3
62176-30X	GREEN	5	516	20	25	3.5
62176-40X	BLUE	5	466	3	5	3.5

RECOMMENDED OPERATING CONDITIONS:

PARAMETER	SYMBOL	MIN	MAX	UNITS
Forward Current	I_F	1	20	mA
Operating Temperature	T_A	-55	+100	$^\circ\text{C}$

SELECTION GUIDE

PART NUMBER	PART DESCRIPTION
62176-101	Commercial, Red LED, Panel Mount
62176-102	JAN Screened, Red LED, Panel Mount
62176-103	JANTX Screened, Red LED, Panel Mount
62176-104	JANTXV Screened, Red LED, Panel Mount
62176-201	Commercial, Yellow LED, Panel Mount
62176-202	JAN Screened, Yellow LED, Panel Mount
62176-203	JANTX Screened, Yellow LED, Panel Mount
62176-204	JANTXV Screened, Yellow LED, Panel Mount
62176-301	Commercial, Green LED, Panel Mount
62176-302	JAN Screened, Green LED, Panel Mount
62176-303	JANTX Screened, Green LED, Panel Mount
62176-304	JANTXV Screened, Green LED, Panel Mount
62176-401	Commercial, Blue LED, Panel Mount
62176-402	JAN Screened, Blue LED, Panel Mount
62176-403	JANTX Screened, Blue LED, Panel Mount
62176-404	JANTXV Screened, Blue LED, Panel Mount