

62072

BI-COLOR HERMETIC LED INDICATORS



11/20/03

Features:

- Hermetically sealed
- Choice of colors (Red, Yellow, Green)
- Panel Mount versions with wire wrappable leads
- Designed for Hi-Reliability applications

Applications:

- P.C. Board Fault Indicator
- Logic Status Indicator
- Binary Data Display
- Power supply on/off indicator

DESCRIPTION

The **62072** series indicators are hermetically sealed in TO-46 packages with a diffused dome lens which provides improved viewability in bright sunlight. The RED and YELLOW indicators utilize a high efficiency GaAsP on GaP LED, while the GREEN indicator utilizes a GaP on GaP LED. Panel mount versions with wire wrap leads are available including necessary mounting hardware. All versions available in standard or JANTX screened levels.

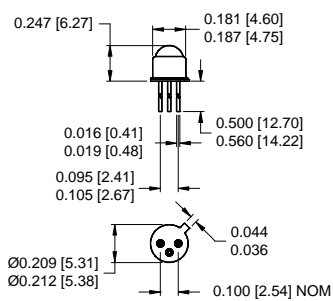
ABSOLUTE MAXIMUM RATINGS

Reverse Voltage	5 Vdc
Power Dissipation (Note 1)	120 mW
Forward Current-Continuous	35 mA
Storage Temperature	-65°C to +100°C
Operating Temperature.....	-55°C to +100°C
Lead Soldering Temperature (10 seconds, 1/16" from case)	260°C
Maximum Insertion Torque (Panel mount version)	25 in•lbs

NOTES:

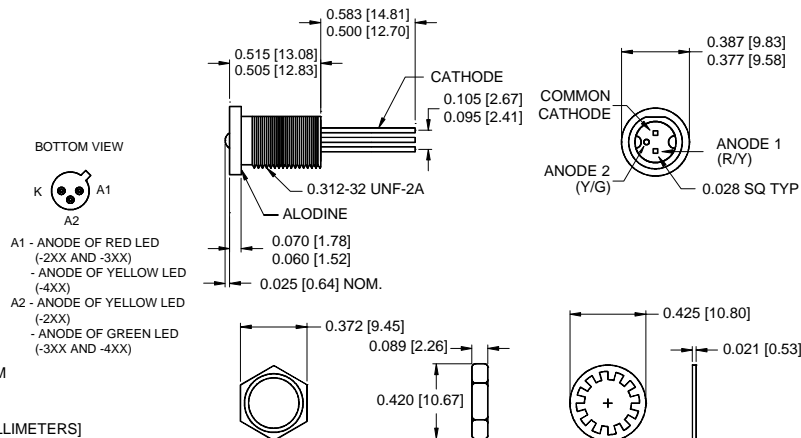
1. Derate linearly at the rate of 1.6 mW/°C above 25°C

Indicator Dimensions

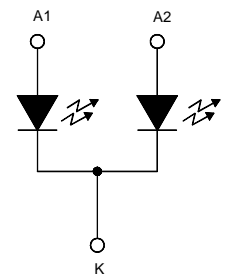


ALL DIMENSIONS ARE IN INCHES [MILLIMETERS]

Panel Mount Dimensions



Schematic Diagram



62072

11/20/03

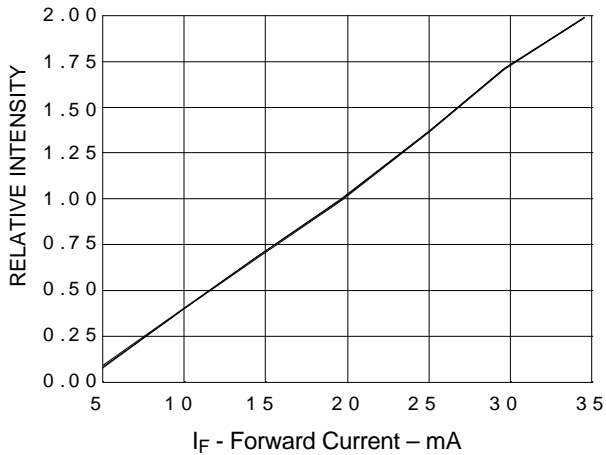
ELECTRICAL CHARACTERISTICS

T_A = 25°C unless otherwise specified.

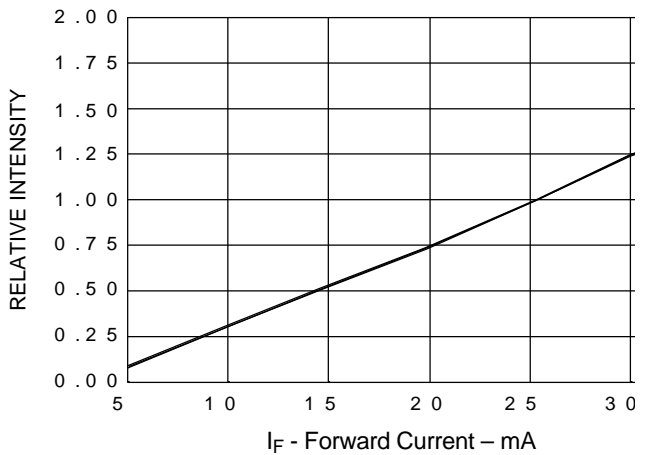
BI-COLOR HERMETIC LED INDICATORS

PART NUMBER	COLOR	TEST CONDITION	PARAMETER LIMITS				
			PEAKλ	I _{V1} θ=0°	I _{V2} θ=30°	V _F	C
		I _F	TYP.	MIN.	MIN.	MAX.	MAX.
62072	RED	20	635	3 mcd	1.5 mcd.	3V	100 pF
62072	YELLOW	20	585	3 mcd	1.5 mcd.	3V	100 pF
62072	GREEN	20	570	3 mcd	1.5 mcd.	3V	100 pF

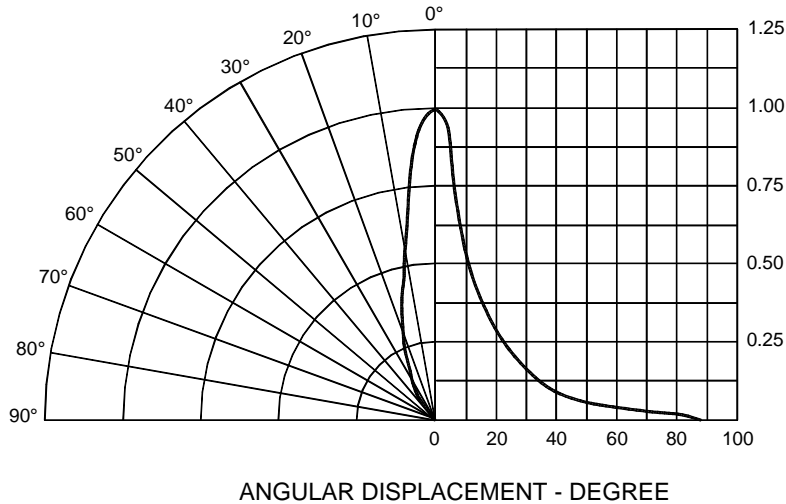
RED/YELLOW LED
Relative Luminous Intensity
vs.
Forward Current
(Normalized at 20 mA)



GREEN LED
Relative Luminous Intensity
vs.
Forward Current
(Normalized at 25 mA)



Relative Luminous Intensity vs. Angular Displacement



RECOMMENDED OPERATING CONDITIONS

PARAMETER	SYMBOL	MIN	MAX	UNITS
Forward Current	I_F	20	35	mA (1)
Operating Temperature	T_A	-55	+100	°C

NOTES:

1. Per LED

SELECTION GUIDE

PART NUMBER	PART DESCRIPTION
62072-201	Yellow/Red LED, commercial, TO-46
62072-203	Yellow/Red LED, screened, TO-46
62072-211	Yellow/Red LED, commercial, panel mount
62072-213	Yellow/Red LED, screened, panel mount
62072-301	Green/Red LED, commercial, TO-46
62072-303	Green/Red LED screened, TO-46
62072-311	Green/Red LED, commercial, panel mount
62072-313	Green/Red LED, screened, panel mount
62072-401	Yellow/Green LED, commercial, TO-46
62072-403	Yellow/Green LED, screened, TO-46
62072-411	Yellow/Green LED, commercial, panel mount
62072-413	Yellow/Green LED, screened, panel mount