

**62069**

**HI BRITE HERMETIC LED INDICATORS,  
PANEL MOUNT**



11/20/03

**Features:**

- Front or Rear Mountable
- Hermetic LED – JANTX screened
- Choice of colors: red, yellow or green
- Designed for high-reliability applications

**Applications:**

- Fault indicator
- On / Off indicator
- Logic status indicator
- Binary data display

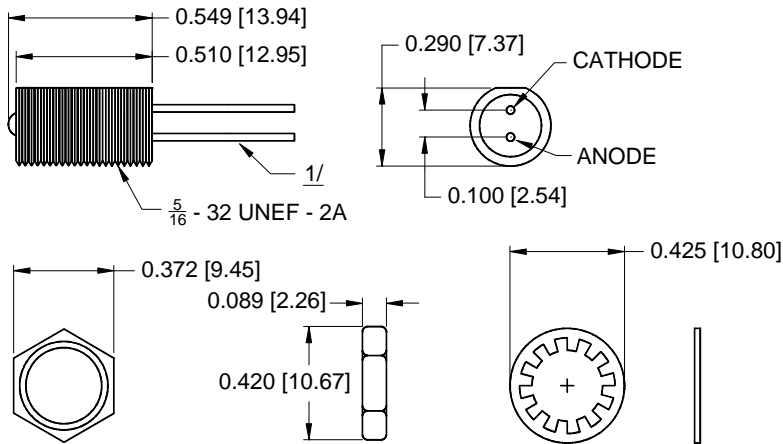
**DESCRIPTION**

The 62069 panel mount panel indicators are constructed with a hermetically sealed LED in a rugged, black anodized housing. The unique style allows mounting from the front or rear and comes complete with mounting hardware. Assemblies are available as wire wrappable or with 20 AWG leads, as commercial or screened parts.

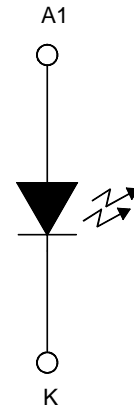
**ABSOLUTE MAXIMUM RATINGS**

Reverse Voltage.....	5 VDC
Continuous Forward Current.....	35 mA
Power Dissipation.....	120 mW
Storage Temperature.....	-65°C to 100°C
Operating Temperature .....	-55°C to 100°C

**Package Dimensions**



**Schematic Diagram**

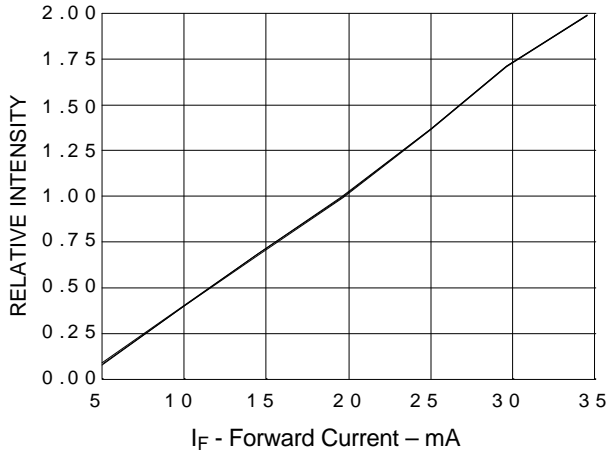


**NOTES:**

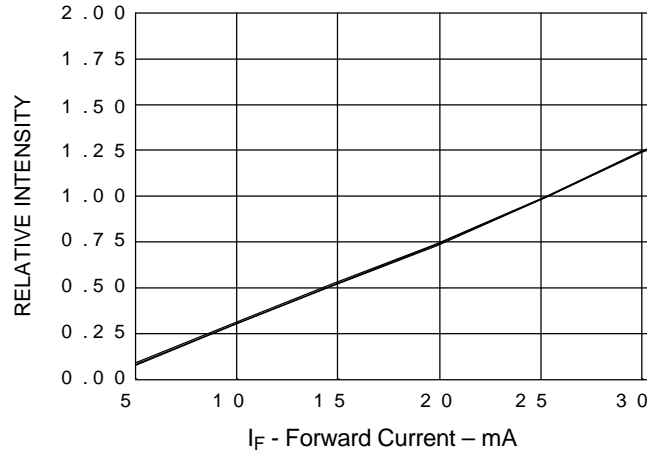
1. INSULATED WIRE 10" LENGTH:  
WHITE - CATHODE, RED - ANODE.
2. TOLERANCES ARE ±0.005.

ALL DIMENSIONS ARE IN INCHES [MILLIMETERS].

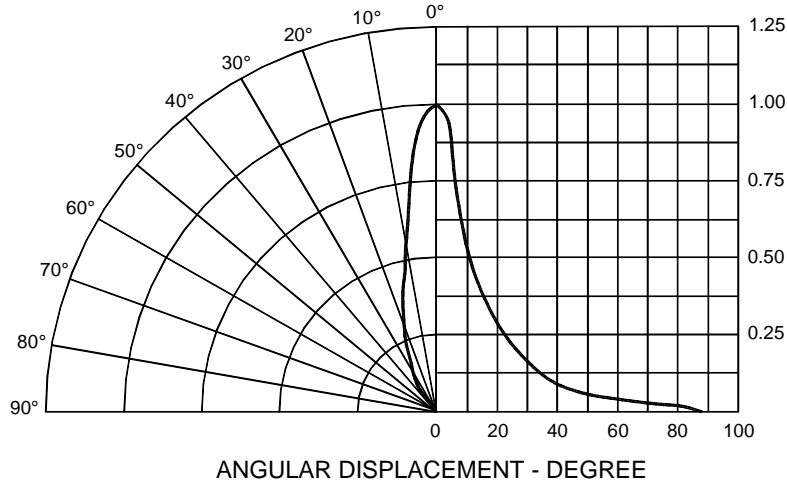
**RED/YELLOW LED**  
Relative Luminous Intensity  
vs  
Forward Current  
(Normalized at 20 mA)



**GREEN LED**  
Relative Luminous Intensity  
vs.  
Forward Current  
(Normalized at 25 mA)



Relative Luminous Intensity  
vs.  
Angular Displacement



**RECOMMENDED OPERATING CONDITIONS:**

PARAMETER	SYMBOL	MIN	MAX	UNITS
Forward Current	$I_F$	20	35	mA
Operating Temperature	$T_A$	-55	+100	°C

**SELECTION GUIDE**

PART NUMBER	PART DESCRIPTION
62069-111	Red LED, commercial, wire wrapped leads
62069-112	Red LED, screened, wire wrapped leads
62069-121	Red LED, commercial, 20 AWG leads
62069-122	Red LED, screened, 20 AWG leads
62069-211	Yellow LED, commercial, wire wrapped leads
62069-212	Yellow LED, screened, wire wrapped leads
62069-221	Yellow LED, commercial, 20 AWG leads
62069-222	Yellow LED, screened, 20 AWG leads
62069-311	Green LED, commercial, wire wrapped leads
62069-312	Green LED, screened, wire wrapped leads
62068-321	Green LED, commercial, 20 AWG leads
62069-322	Green LED, screened, 20 AWG leads