

62069

**HI BRITE HERMETIC LED INDICATORS,
PANEL MOUNT**



11/20/03

Features:

- Front or Rear Mountable
- Hermetic LED – JANTX screened
- Choice of colors: red, yellow or green
- Designed for high-reliability applications

Applications:

- Fault indicator
- On / Off indicator
- Logic status indicator
- Binary data display

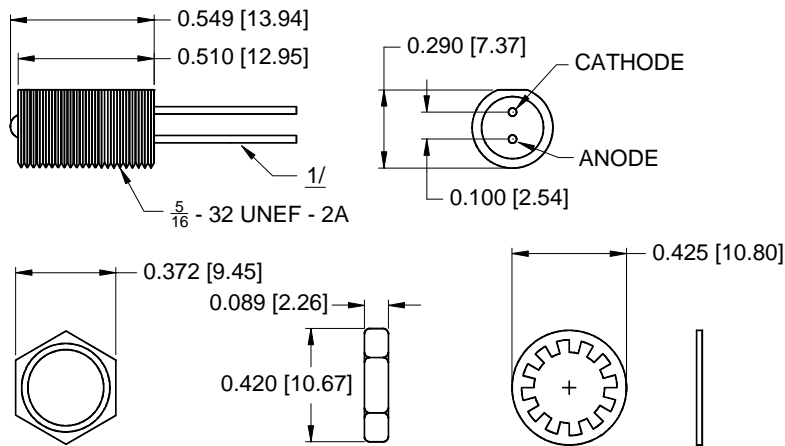
DESCRIPTION

The 62069 panel mount panel indicators are constructed with a hermetically sealed LED in a rugged, black anodized housing. The unique style allows mounting from the front or rear and comes complete with mounting hardware. Assemblies are available as wire wrappable or with 20 AWG leads, as commercial or screened parts.

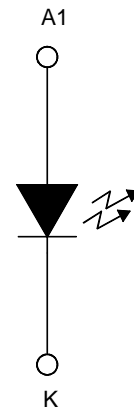
ABSOLUTE MAXIMUM RATINGS

| | |
|---------------------------------|----------------|
| Reverse Voltage..... | 5 VDC |
| Continuous Forward Current..... | 35 mA |
| Power Dissipation..... | 120 mW |
| Storage Temperature..... | -65°C to 100°C |
| Operating Temperature | -55°C to 100°C |

Package Dimensions



Schematic Diagram

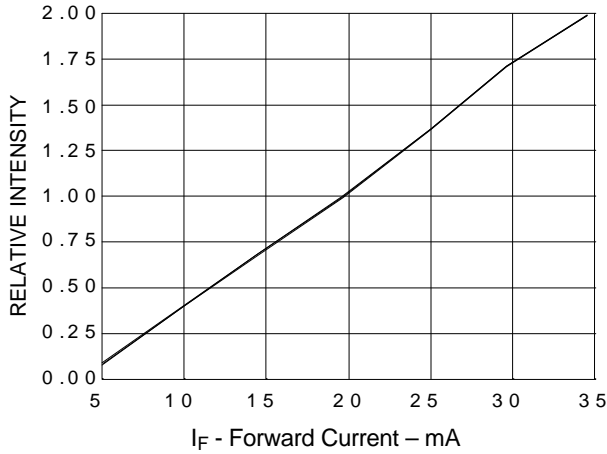


NOTES:

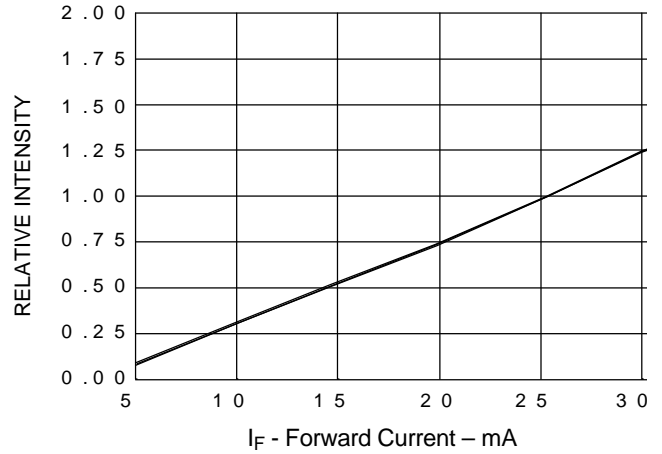
1. INSULATED WIRE 10" LENGTH:
WHITE - CATHODE, RED - ANODE.
2. TOLERANCES ARE ±0.005.

ALL DIMENSIONS ARE IN INCHES [MILLIMETERS].

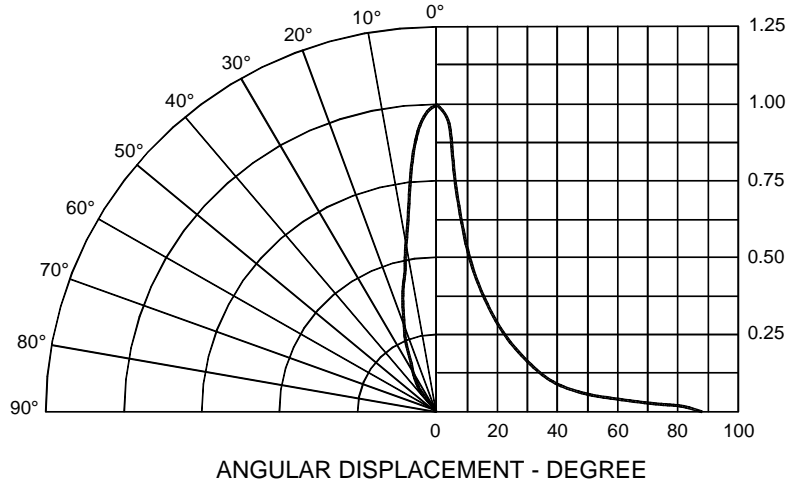
RED/YELLOW LED
Relative Luminous Intensity
vs.
Forward Current
(Normalized at 20 mA)



GREEN LED
Relative Luminous Intensity
vs.
Forward Current
(Normalized at 25 mA)



Relative Luminous Intensity
vs.
Angular Displacement



RECOMMENDED OPERATING CONDITIONS:

| PARAMETER | SYMBOL | MIN | MAX | UNITS |
|-----------------------|--------|-----|------|-------|
| Forward Current | I_F | 20 | 35 | mA |
| Operating Temperature | T_A | -55 | +100 | °C |

SELECTION GUIDE

| PART NUMBER | PART DESCRIPTION |
|-------------|--|
| 62069-111 | Red LED, commercial, wire wrapped leads |
| 62069-112 | Red LED, screened, wire wrapped leads |
| 62069-121 | Red LED, commercial, 20 AWG leads |
| 62069-122 | Red LED, screened, 20 AWG leads |
| 62069-211 | Yellow LED, commercial, wire wrapped leads |
| 62069-212 | Yellow LED, screened, wire wrapped leads |
| 62069-221 | Yellow LED, commercial, 20 AWG leads |
| 62069-222 | Yellow LED, screened, 20 AWG leads |
| 62069-311 | Green LED, commercial, wire wrapped leads |
| 62069-312 | Green LED, screened, wire wrapped leads |
| 62068-321 | Green LED, commercial, 20 AWG leads |
| 62069-322 | Green LED, screened, 20 AWG leads |