


<b>53259</b>	<b>POWER MOSFET OPTOCOUPLER SPST NORMALLY CLOSED</b>	
--------------	--	--

<p><b>Features:</b></p> <ul style="list-style-type: none"> <li>• Hermetically Sealed 8-Pin Dual-In-Line package</li> <li>• Normally Closed Contact</li> <li>• Performance over -55°C to +125°C Ambient Temperature Range</li> <li>• ±400 VDC Blocking Voltage in Bi-directional Mode</li> <li>• AC/DC Switching</li> <li>• Maximum AC / DC Load Current: 0.12 A / 0.24 A</li> <li>• 1500 VDC Withstand Test Voltage</li> <li>• Optically Isolated</li> <li>• 1.5 A Output Surge Current</li> <li>• Same foot print as HSSR 7111 / Mii 53111</li> </ul>	<p><b>Applications:</b></p> <ul style="list-style-type: none"> <li>• Satellite / Space Systems</li> <li>• Military / High Reliability Systems</li> <li>• Power Distribution Control</li> <li>• AC/DC Electromechanical or Reed Relay Replacement</li> <li>• I/O Modules for Automated Test Equipment</li> <li>• Process Control</li> <li>• Telecom Applications</li> <li>• Medical Electronics</li> </ul>
--	---

**DESCRIPTION**

The 53259 is a single channel power MOSFET optocoupler. Low on-resistance of the MOSFET outputs, combined with 1500 VDC isolation between input and output, makes this optocoupler ideal for many solid state relay applications. Operation is specified over the full military temperature range. The part is supplied in an eight-pin, dual-in-line ceramic package, available in variety of quality levels from COTS to class K including any custom screening requirements. The basic data sheet part is environmentally screened to H level in accordance with Table C-IX of MIL-PRF-38534. For ordering part number; consult with Micropac factory for detail. The part is normally shipped with gold plated leads, but lead finishes per MIL-PRF-38534 are available.

Functionally, the device operates as a single-pole, normally closed (1 Form B) solid state relay. The device is actuated by an input current, which can be supplied from standard logic types such as open-collector TTL. The input current biases a light emitting diode that is optically coupled to an integrated photovoltaic diode array. The photovoltaic array powers control circuitry that operates the output MOSFETs.

Optimum switching of either AC or DC loads is provided by a configurable output. For AC loads, connection A in Figure 1 must be used. Connection A will also switch DC loads but connection B, in Figure 1, provides DC-only operation with the advantages of substantial reduction in on-resistance and twice the output current capability as that obtained with connection A.

Micropac Industries cannot assume any responsibility for any circuits shown or represent that they are free from patent infringement. Micropac reserves the right to make changes at any time in order to improve design and to supply the best product possible. Please check <http://www.micropac.com/MII-AppNotePage.html> for the latest Product Change Notices.

**ABSOLUTE MAXIMUM RATINGS**

Storage Temperature Range .....	-65°C to +150°C
Operating Ambient Temperature - $T_A$ .....	-55°C to +125°C
Junction Temperature - $T_J$ .....	150°C
Lead Solder Temperature (1.6mm below seating plane for 10 seconds) .....	260°C
Average Input Current - $I_F$ .....	20 mA
Peak Repetitive Input Current - $I_{Fpk}$ (Pulse Width < 100ms; duty cycle < 50%) .....	40 mA
Peak Surge Input Current - $I_{Fpk}$ surge (Pulse Width < 0.2ms; duty cycle < 0.1%) .....	100 mA
Reverse Input Voltage - $V_R$ .....	5 V
Output Current	
Connection A - $I_O$ .....	0.12 A
Connection B - $I_O$ .....	0.24 A
Inrush Output Current	
Connection A - $I_{Opk}$ surge .....	1.5 A
Output Blocking Voltage	
Connection A - $V_O$ .....	$\pm$ 400 VDC
Connection B - $V_O$ .....	0 V to +400 VDC
Output Power Dissipation .....	500 mW

**RECOMMENDED OPERATING CONDITIONS:**

PARAMETER	SYMBOL	MIN	MAX	UNITS
Input Current (off)	$I_{F(OFF)}$	5	20	mA
Input Voltage (on)	$V_{F(ON)}$	0	0.6	VDC
Operating Temperature	$T_A$	-55	+125	°C

Note: On state means contact closed. Off state means contact open.

Micropac Industries cannot assume any responsibility for any circuits shown or represent that they are free from patent infringement. Micropac reserves the right to make changes at any time in order to improve design and to supply the best product possible. Please check <http://www.micropac.com/MII-AppNotePage.html> for the latest Product Change Notices.

**ELECTRICAL SPECIFICATIONS**

$T_A = -55^\circ\text{C}$  to  $+125^\circ\text{C}$ , unless otherwise specified.

Parameter	Sym.	Min.	Typ.*	Max.	Units	Test Conditions	Notes
Output Blocking Voltage	$ V_{O(OFF)} $	400	----	----	V	$I_F = 10\text{ mA}$ $I_O = 10\text{ }\mu\text{A}$	
Output On-Resistance (Connection A)	$R_{(ON)}$	----	25	50	$\Omega$	$I_F = 0\text{ mA}$ , $V_{IN} = 28\text{V}$ $I_O = 120\text{ mA}$ (pulse duration $\leq 30\text{ ms}$ )	3 Figure 3
Output On-Resistance (Connection B)		----	12	25	$\Omega$	$I_F = 0\text{ mA}$ , $V_{IN} = 28\text{V}$ $I_O = 240\text{ mA}$ (pulse duration $\leq 30\text{ ms}$ )	
Output Leakage Current	$I_{O(OFF)}$	----	0.2	10	$\mu\text{A}$	$V_{O(OFF)} = 400\text{ V}$	
Input Forward Voltage	$V_F$	1.0	1.2	1.9	V	$I_F = 10\text{ mA}$	
Input Reverse Breakdown Voltage	$V_R$	5.0	12	----	V	$I_R = 10\text{ }\mu\text{A}$	
Input-Output Insulation	$I_{I-O}$	----	----	1.0	$\mu\text{A}$	$RH \leq 45\%$ , $t = 5\text{ s}$ $V_{I-O} = 1500\text{ VDC}$ $T_A = 25^\circ\text{C}$	4, 5
Turn-On Time	$t_{ON}$	----	0.3	3.0	ms	$I_F = 0\text{ mA}$ , $V_{IN} = 200\text{V}$ $I_O = 25\text{ mA}$	3 Figure 3
Turn-Off time	$t_{OFF}$	----	0.1	1.0	ms	$I_F = 10\text{ mA}$ , $V_{IN} = 200\text{V}$ $I_O = 25\text{ mA}$	3 Figure 3

\* All typical values are at  $T_A = 25^\circ\text{C}$ , unless otherwise specified.

**Notes:**

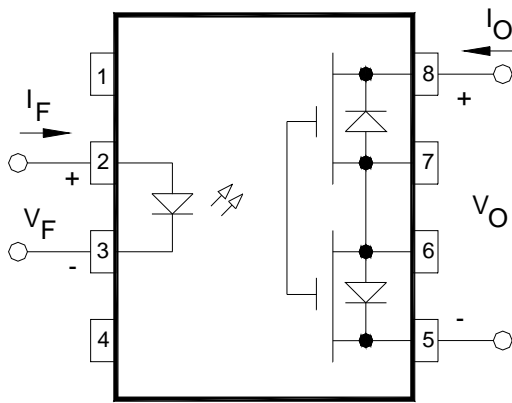
- Maximum junction to case thermal resistance ( $\theta_{JC}$ ) for the device is  $15^\circ\text{C/W}$ , where case temperature ( $T_C$ ), is measured at the center of the package bottom.
- $R_{(ON)}$  is measured for the individual sections of Condition B, Pins 5 and 6 and Pins 7 and 8. Meeting these limits guarantees the performance of Connection A.
- During the pulsed  $R_{(ON)}$ ,  $T_{(ON)}$ ,  $T_{(OFF)}$  measurements ( $I_O$  duration  $< 30\text{ ms}$ ), ambient ( $T_A$ ) and case temperature ( $T_C$ ) are equal.
- Pins 2 and 3 shorted together and pins 5 through 8 shorted together.
- This is a momentary withstand test, not an operating condition.
- Care should be taken not to exceed the maximum output power dissipation, maximum case temperature, and maximum junction temperature when repetitively switching loads.

Micropac Industries cannot assume any responsibility for any circuits shown or represent that they are free from patent infringement. Micropac reserves the right to make changes at any time in order to improve design and to supply the best product possible. Please check <http://www.micropac.com/MII-AppNotePage.html> for the latest Product Change Notices.

Terminal number	Terminal symbol	
	Connection A (AC or DC load)	Connection B (DC load only)
1	NC	NC
2	V <sub>F+</sub>	V <sub>F+</sub>
3	V <sub>F-</sub>	V <sub>F-</sub>
4	NC	NC
5	V <sub>O-</sub>	V <sub>O+</sub>
6	NC	V <sub>O-</sub>
7	NC	V <sub>O-</sub>
8	V <sub>O+</sub>	V <sub>O+</sub>

NC = No connection

CONNECTION A  
AC/DC CONNECTION



CONNECTION B  
DC CONNECTION

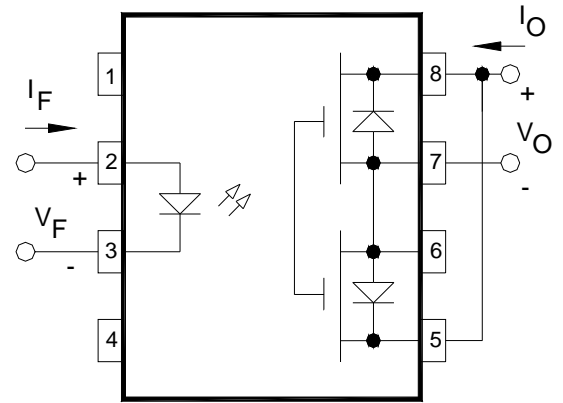
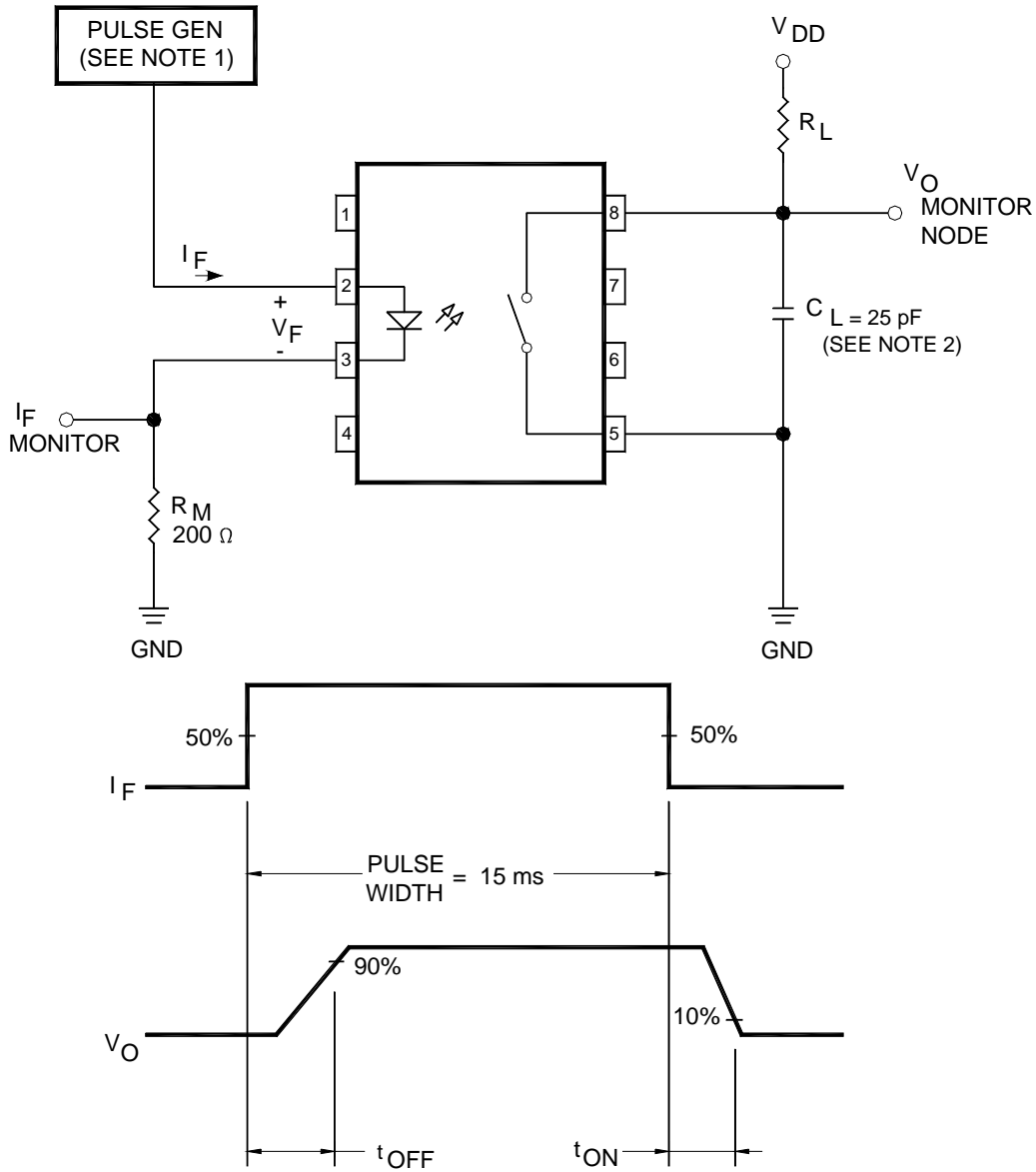


Figure 1. Terminal Connections

INPUT	OUTPUT
OFF	ON
ON	OFF

Figure 2. True Table

Micropac Industries cannot assume any responsibility for any circuits shown or represent that they are free from patent infringement. Micropac reserves the right to make changes at any time in order to improve design and to supply the best product possible. Please check <http://www.micropac.com/MII-AppNotePage.html> for the latest Product Change Notices.



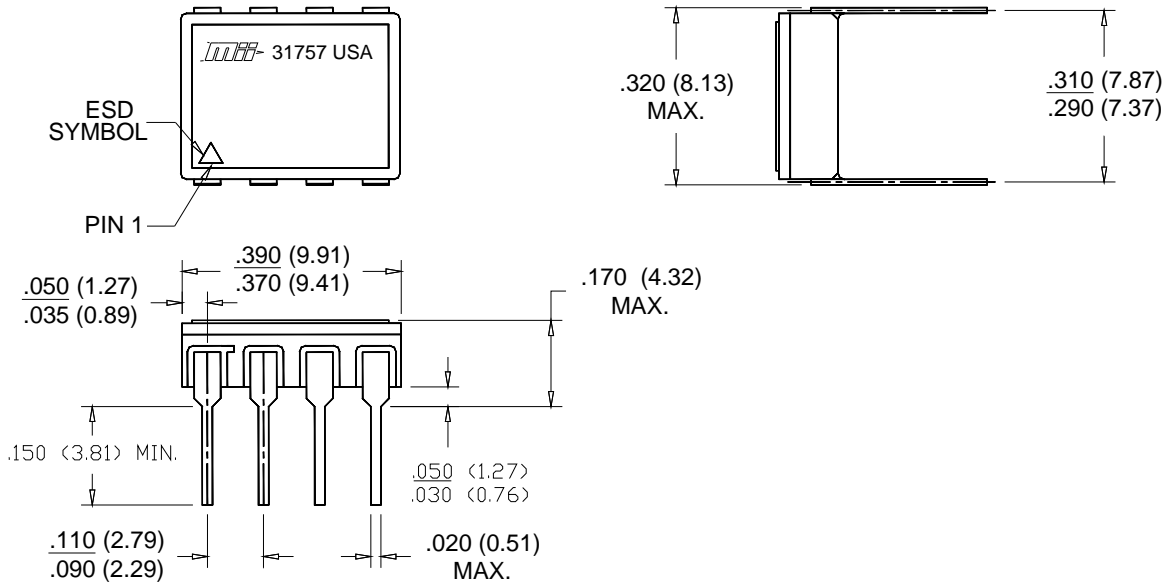
- NOTES:
1. PULSE GENERATOR HAS THE FOLLOWING CHARACTERISTICS: OUTPUT IMPEDANCE = 50  $\Omega$  AND  $t_r = t_f = 5.0 \text{ ns}$ .
  2. LOAD CAPACITANCE ( $C_L$ ) INCLUDES PROBE AND JIG CAPACITANCE.

Figure 3. Switching Test Circuit and Waveform

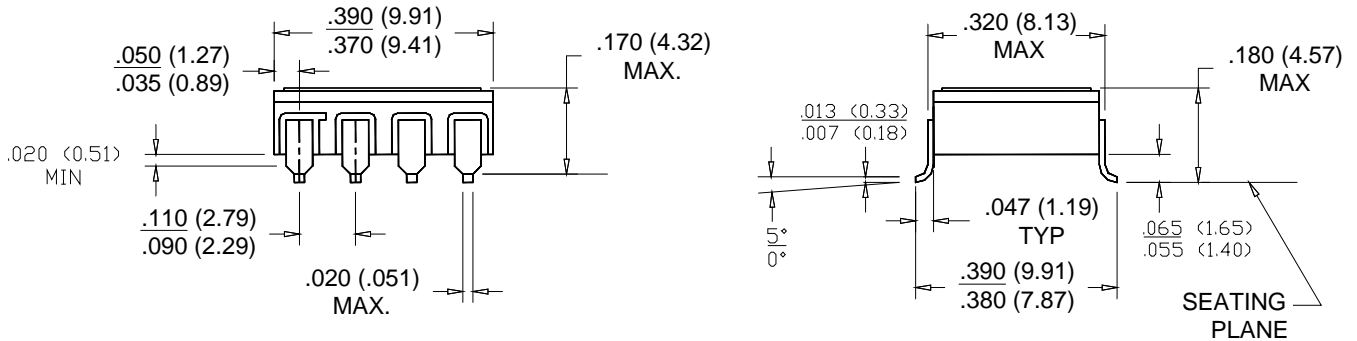
Micropac Industries cannot assume any responsibility for any circuits shown or represent that they are free from patent infringement. Micropac reserves the right to make changes at any time in order to improve design and to supply the best product possible. Please check <http://www.micropac.com/MII-AppNotePage.html> for the latest Product Change Notices.

### Case Outlines

CASE OUTLINE P



CASE OUTLINE X

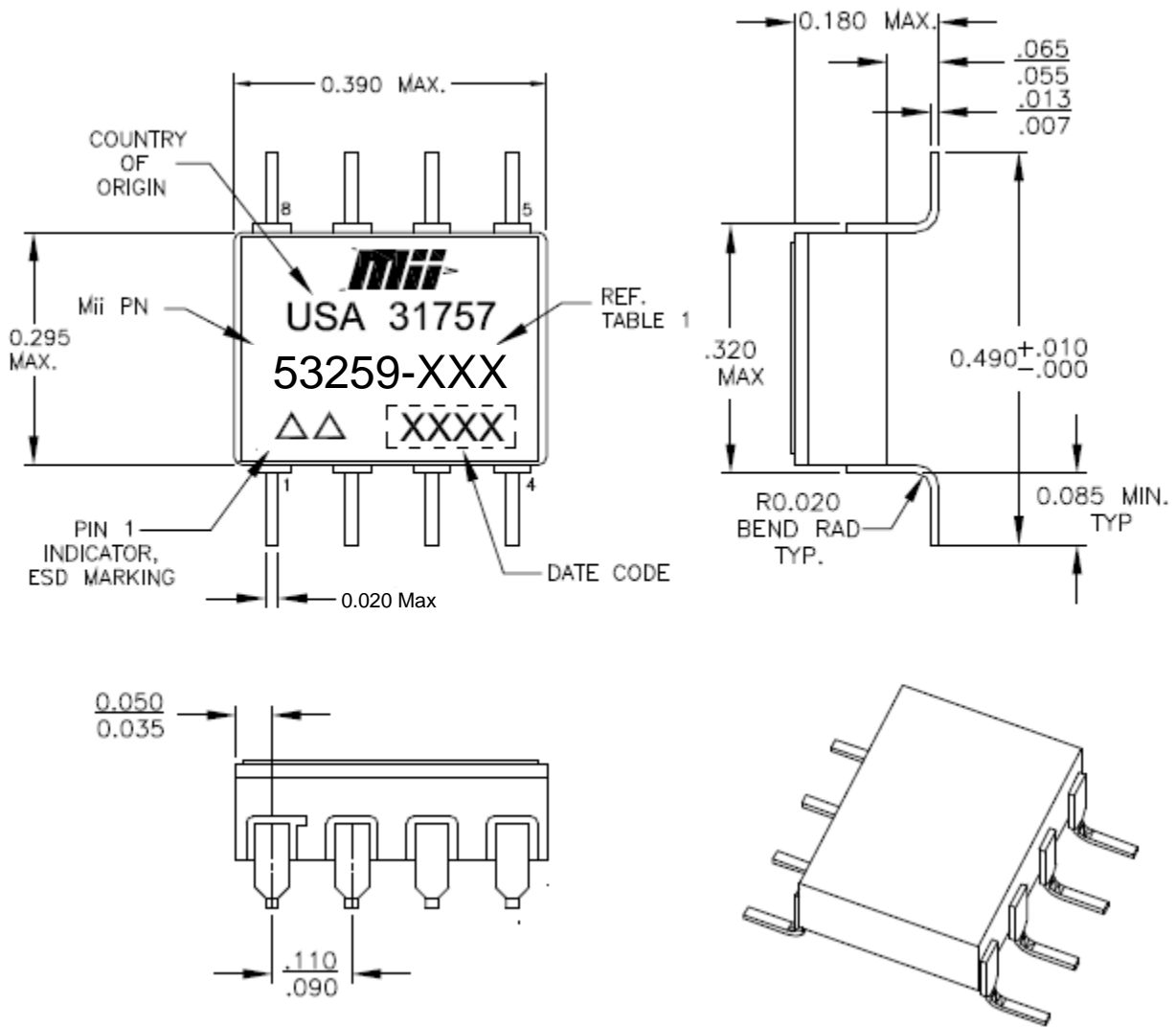


NOTES:

1. PIN 1 IS INDICATED BY THE ESD TRIANGLE MARKED ON THE LID OF THE PACKAGE.
2. DIMENSIONS ARE IN INCHES, (mm).
3. METRIC EQUIVALENTS ARE GIVEN FOR GENERAL INFORMATION ONLY.
4. UNLESS OTHERWISE SPECIFIED, TOLERANCE IS ±.005 (0.13mm).

**Micropac Industries** cannot assume any responsibility for any circuits shown or represent that they are free from patent infringement. **Micropac** reserves the right to make changes at any time in order to improve design and to supply the best product possible. Please check <http://www.micropac.com/MII-AppNotePage.html> for the latest Product Change Notices.

CASE OUTLINE Y



Micropac Industries cannot assume any responsibility for any circuits shown or represent that they are free from patent infringement. Micropac reserves the right to make changes at any time in order to improve design and to supply the best product possible. Please check <http://www.micropac.com/MII-AppNotePage.html> for the latest Product Change Notices.

### Ordering Guide

The following chart explains the ordering procedure for Micropac Part Numbers.  
Please contact Micropac for other desired options.

#### Example: Mii P/N 53259-PAH1

53259 -	P	A	H	1
Device Type & Model Number	<u>Case Outline</u> P: 8-Pin DIP X: 8-Pin Gull Wing Y: 8-Pin Extended Gull Wing	<u>Lead Finish</u> A: Solder Dip C: Gold Plate X: Either A or C	<u>Quality Screening Level</u> None: Unscreened (for Engineering Evaluation) H: Class H of MIL-PRF-38534, Table C-IX K: Class K of MIL-PRF-38534, Table C-IX	<u>Additional Requirements</u> 1: plus PIND

**Micropac Industries** cannot assume any responsibility for any circuits shown or represent that they are free from patent infringement. **Micropac** reserves the right to make changes at any time in order to improve design and to supply the best product possible. Please check <http://www.micropac.com/MII-AppNotePage.html> for the latest Product Change Notices.